

Hybrid DVR

# 4/8/16 CH Hybrid DVR



## TD-2100NS-HC

- HD
- H.265
- DDNS
- Network
- PTZ
- Audio
- MIC
- Mobile
- CMS
- USB
- Mouse
- E-mail

TD-2100NS-HC series are 4 / 8 / 16 CH 1080P high definition DVRs with ability to connect analog and IP cameras simultaneously, which adopt the standard H.265 high profile compression format and the most advanced SOC technique to ensure real time recording in each channel and realize outstanding robustness of the system. TD-2100NS-HC support 4 / 8 / 16 CH video input, 1 / 1 / 1 CH audio input, simultaneous 4 / 8 / 16 CH playback. The series of product can meet different security requirements of home, financial, commerce, enterprise, transportation and government, etc.



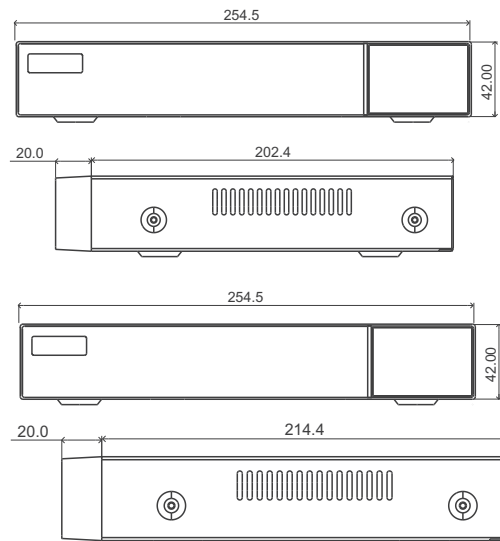
[en.tvt.net.cn](http://en.tvt.net.cn)

For more information, please visit our website

## Features

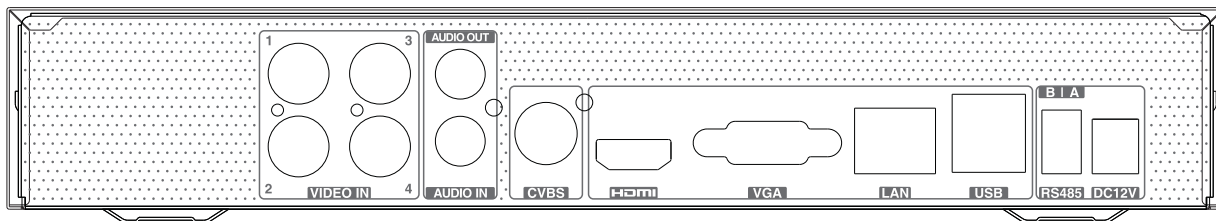
- 4 / 8 CH DVR supports TVI / AHD / CVI 5MP / 4MP / 1080P / 720P / WD1 video input
- 16 CH DVR supports TVI / AHD / CVI 5MP / 4MP / 1080P video input
- 4 / 8 / 16 CH DVR supports 2 / 4 / 8 CH 5MP / 4MP / 3MP / 1080P / 960P / 720P IP video input by default
- 4CH DVR: 4CH analog video input can be switched to 4CH IP video input
- 8CH / 16CH DVR: 8 analog video input can be switched to 8CH IP video input
- Adopt standard H.265 high profile compression format to get high-quality video at much lower bit rate
- Intuitive and user-friendly Graphics User Interface ( GUI ), window style operation by mouse
- Multi-mode recording: manual / timed / motion / AI recording
- Playback : 4 / 8 / 16 CH simultaneously playback
- Search: time slice, time, event, tag search
- Express and flexible backup via USB, network and so on
- Pentaplex: preview, record, playback, backup and remote access
- DHCP, DDNS, PPPoE network protocol
- Remote control via Web or CMS : preview, playback, backup, PTZ and configuration
- Dual stream technology for local storage with high definition, remote network transmission and remote surveillance with mobile device
- Authorization management, log review and device status review
- Support 1080P output, true high resolution display
- Support PTZ preset and auto cruise, up to 255 presets and 8 cruises
- Support NAT function and QRCode scanning by mobile phones
- Powerful mobile surveillance by smart phones with iOS and Android OS

## Dimensions

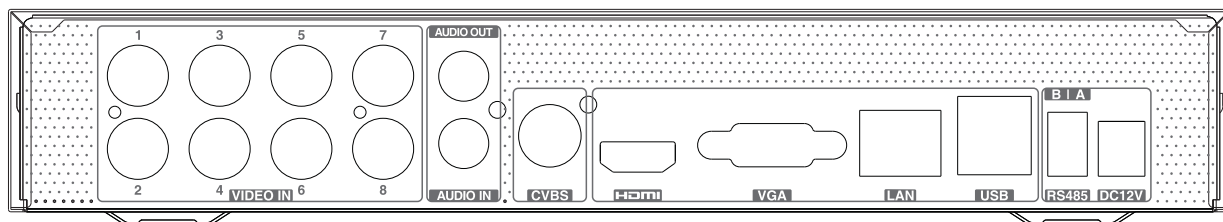


## Rear Panel

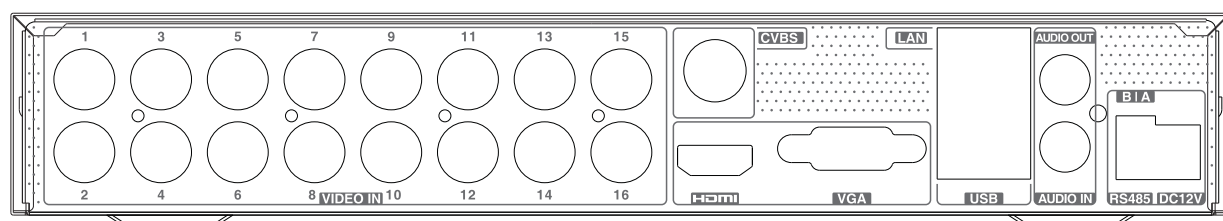
**TD-2104NS-HC**



**TD-2108NS-HC**



**TD-2116NS-HC**



### SPECIFICATIONS

Model		TD-2104NS-HC	TD-2108NS-HC	TD-2116NS-HC
System	OS	Embedded Linux		
Video	Analog Video Input	BNC × 4	BNC × 8	BNC × 16
		BNC interface (1.0Vp-p; 75Ω)		
		TVI/AHD/CVI: 5MP/4MP/1080P/720P/WD1		TVI/AHD/CVI: 5MP/4MP/1080P
	IP Video Input	2CH (up to 6CH)	4CH (up to 12CH)	8CH (up to 16CH)
		Up to 5MP@25fps	Up to 5MP@30fps	Up to 5MP@30fps
	Total Input	6CH	12CH	24CH
	Output	HDMI × 1 : 1920 × 1080 / 1280 × 1024 / 1024 × 768 VGA × 1 : 1920 × 1080 / 1280 × 1024 / 1024 × 768 BNC × 1 : CVBS ( used as the main or spot output )		
Compression	H.264/H.265			
Multi-screen Display	1/4/6/9	1/4/6/8/9/13/16	1/4/6/8/9/13/16/25	
Audio	Input	RCA × 1		
	Output	RCA × 1 (linear, 600Ω)		
	Two-way audio	Take up channel one audio input		
	Compression	G.711(U/A)		
Record	Resolution	5MP Lite/4MP Lite/1080P/1080P Lite/720P/WD1		5MP Lite/4MP Lite/1080P/1080P Lite
	Frame Rate	Analog Channel: 5MP Lite : 10fps; 4MP Lite/1080P : 12fps (PAL)/15fps (NTSC); 1080P Lite/720P/WD1 : 25fps (PAL)/30fps (NTSC) IP Channel: 25fps (PAL)/30fps (NTSC)		Analog Channel: 5MP Lite: 10fps; 4MP Lite/1080P: 12fps(PAL)/15fps(NTSC) 1080P Lite: 25fps (PAL)/30fps (NTSC) IP Channel: 25fps (PAL)/30fps (NTSC)
	Bit Rate	32Kbps ~ 4Mbps	32Kbps ~ 4Mbps	32Kbps ~ 5Mbps
	Mode	Manual, timer, motion, smart event		
Playback	Playback	4CH	8CH	16 CH
	Search	Time slice / time / event / tag search		
	Smart Search	Highlight colors to display the camera record in a certain period of time, different colors refer to different record events		
	Function	Play, pause, FF, FB, digital zoom, etc.		
Alarm	Mode	Manual, motion, exception, smart event		
	Input	No		
	Output	No		
Network	Interface	RJ 45 100Mbps × 1		
	Protocol	TCP/IP, PPPoE, DHCP, DNS, DDNS, UPnP, HTTP, HTTPS, NTP, SMTP		
	Incoming Bandwidth	16Mbps	32Mbps	32Mbps
	Outgoing Bandwidth	40Mbps	60Mbps	80Mbps
	Client Connection	Max. 5 users access	Max. 5 users access	Max. 10 users access
Mobile Device	OS	iOS, Andriod		
Storage	HDD	SATA × 1, up to 10TB		
Backup	Local Backup	U disk, USB mobile HDD		
	Network Backup	Yes		
Port	RS 485	RS 485 × 1 (half-duplex)		
	USB	USB 2.0 × 2 ( in the rear panel )		
	Remote Controller	Optional		
Others	Power Supply	DC12V / 1.5A	DC12V / 2A	DC12V / 3A
	Consumption	≤5W ( without HDD )	≤8W ( without HDD )	≤10W ( without HDD )
	Dimensions(mm)	255 × 222 × 42 ( W × D × H )		255 × 234 × 42 ( W × D × H )
	Working Environment	-10~50°C, 10%~90% (humidity)		
	Certificate	CE, FCC		
Environmental Protection	Comply with Directive EU RoHS, WEEE, REACH			