

5" 2MP 30x Network IR Speed Dome



TD-8523IE (30M/AR15)

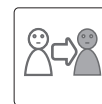
- 1/2.8" 2MP CMOS
- True WDR
- STARVIS
- Powerful 30× optical zoom
- Max. 25/30fps @2M
- Smart IR with distance to 150m
- IP66



H.265



IP 66



Smart IR



WDR



Starvis



System Overview

Featuring powerful optical zoom and accurate pan/tilt/zoom performance, the camera provides a wide monitoring range and great detail. The camera delivers 2MP full high definition resolution at 25/30fps. The camera is equipped with smooth control, high quality image, and good protection, meeting compact size demands of video surveillance applications.

Features

● High Efficiency Video Coding (H.265)

The H.265 (ITU-T VCEG) video compression standard offers double the data compression ratio at the same level of video quality, and substantially improved video quality at the same bit rate, compared to older video compression technologies. H.265 offers such impressive compression by expanding the pattern comparison and different coding, improving motion vector prediction and motion region merging, and incorporating an additional filtering step called sample-adaptive offset filtering.

● Smart IR (2.0)

The product updates its IR lighting sub-system to Smart IR 2.0. The Infrared illumination lens adopts new freedom surface design pattern, and improves the uniformity of illumination above 0.5, compared to 0.3 of the older TIR fashion. And the new hardware is able to accurately adjust the IR LED driving current, step by step. Mixing the auto-exposure algorithm and IR LED control algorithm together makes the IR brightness control self-adaptive and no more over-exposed for most conditions.

● Smart TM 1.0 (Thermal Management)

The camera has built-in temperature sensor, industrial level turbofan, as well as high power heater. The system uses PID control algorithm to adjust the turbofan's speed and heater's power to make the camera working in a suitable temperature chamber.

● Superior Image Quality

The product adopts high MTF 20x zoom lens and Sony latest STARVIS image sensor so that it can capture vivid color image at low light conditions, avoid Smear for very bright objects, such as street road lamp, car's bright lamp, and output high-quality image. Besides, when WDR is selected, the camera will combine long exposure frame and short exposure frame into one frame-the so called physical WDR (true WDR).

● Working Environment and Interoperability

This product is rated for use in temperatures from -30 °C to +60 °C, under 95% humidity. Subjected to rigorous dust and water immersion tests and certified to the IP66 Ingress Protection rating, makes it work well outdoor. This product allows for 6KV lightning rating, which provides effective protection against lightning.

The camera conforms to the ONVIF specifications, ensuring interoperability between network video products regardless of manufacturer.

SPECIFICATION

| Camera Module | |
|----------------------|----------------------------------------------------------------------------------------------------------------------------------------------------------|
| Image Sensor | 1 / 2.8 "progressive scan CMOS |
| Min. Illumination | Color: 0.006 lux @F1.6, AGC ON B/W: 0.003lux @F1.6, AGC ON 0 lux with IR |
| White Balance | Auto/Manual//Indoor/Outdoor |
| S/N ratio | More than 50dB |
| Gain | Auto/Manual |
| Shutter Time | 50Hz: 1 / 1 s ~ 1 / 25, 000 s; 60Hz: 1 / 1 s ~ 1 / 30, 000 s |
| Day&Night | IR Cut Filter |
| Privacy Mask | 4 programmable privacy masks |
| Focus Mode | Auto/Manual |
| WDR | True WDR, 2 frames in one |
| Lens | |
| Focal Length | 4.5-135mm, 30x optical zoom |
| Zoom Speed | Approx. 4s (optical lens, Wide-TELE) |
| Field of View | Horizontal field of view: 62° to 2.3° (Wide-TELE) Vertical field of view: 35° to 1.3° (Wide-TELE) Diagonal field of view: 71° to 2.6° (Wide-TELE) |
| Working Distance | Wide: 1.0m~INF Tele: 1.5m~INF |
| Aperture Range | F1.6 (Wide) to F4.4 (TELE) |
| IR | |
| IR Distance | 150m |
| Smart IR | Support |
| PTZ | |
| Pan Range | 360° endless |
| Pan Speed | Configurable, from 0.5°/s to 80°/s; Preset speed: 150°/s |
| Tilt Range | From 0° to 93° (auto-flip) |
| Tilt Speed | Configurable, from 0.5°/s to 70°/s; Preset speed: 120°/s |
| Proportional Zoom | Support |
| Preset | 360 |
| Cruise | 8 cruises, up to 16 presets for each cruises |
| Track | 4 tracks, record time over 3 minutes for each track |
| Power-off Memory | Support |
| Action Mode | Preset/Cruise/Track/Auto Scan/Random Scan |
| 3D Positioning | Support |
| PTZ Position Display | Support |
| Scheduled Task | Preset/Cruise/Track/Random Scan/Boundary Scanning/Dome Reboot |
| Compression Standard | |
| Video Compression | H.265 / H.264 / MJPEG |
| H.264 Type | Baseline Profile/Main Profile/High Profile |
| H.265 Type | Main Profile |
| Video Bit Rate | 128Kbps ~ 6Mbps |
| SVC | Support |
| Audio Compression | G.711A/U |
| Smart Features | |
| Basic Event | Motion Detection, Video Tampering Detection, Exception |
| Smart Event | Object Removal Detection, Intrusion Detection, Line Crossing Detection, People Intrusion and People Counting |
| Alarm Linkage | Alarm actions, such as preset, cruise, track, SD card record, trigger recording, notify surveillance center, upload to FTP/SD card/NAS, send Email, etc. |

| Smart Record | ANR (Automatic Network Replenishment) |
|------------------------|----------------------------------------------------------------------------------------------------------------------------------------------------------|
| Image | |
| Max. Resolution | 1920×1080 |
| Main Stream | 50Hz:25fps(1920×1080, 1280×720) 60Hz:30fps(1920×1080, 1280×720) |
| Sub Stream | 50Hz:25fps(1280×720, D1, CIF) 60Hz:30fps(1280×720, D1, CIF) |
| Third Stream | 50Hz:25fps(D1, 480×240, CIF) 60Hz:30fps(D1, 480×240, CIF) |
| Image Enhancement | WDR/HLC/BLC/3D DNR/Defog |
| Network | |
| Network Storage | Built-in micro SD card slot, up to 128GB |
| Protocols | HTTP, HTTPS, IPv4/IPv6, 802.1x, QoS, FTP, SMTP, UPnP, SNMP, DNS, DDNS, NTP, RTSP, RTCP, RTP, TCP/IP, UDP, IGMP, ICMP, DHCP, PPPoE |
| API | ONVIF, support TVT API and third-party management platform |
| Simultaneous Live View | Up to 6 channels |
| User/Host | Up to 16 users, 3 levels: Administrator, Advanced User and Normal User |
| Security Measures | User authentication (ID and PW), Host authentication (MAC address); HTTPS encryption, IEEE802.1x port-based network access control; IP address filtering |
| Client | VMS-9000 Client |
| Web Browser | IE8-11, Chrome 31.0 to 44, Firefox 30.0 to 51 |
| Interface | |
| Network Interface | 1 RJ45 10M/100M Ethernet |
| Audio | 1CH audio input (applicable microphone, plug-in power type) 2 to 2.4v[p-p] 1kΩ±10%; 1CH audio output (line out), impedance: 600Ω |
| Alarm | 1CH alarm input; 1CH alarm output |
| General | |
| Power | DC24V 2.5A, Max.30W(IR ON) |
| Working Environment | -30°C~60°C(-22°F~140°F), ≤ 95% RH |
| Protection Level | IP 66 Standard, TVS6000V Lightning Protection, Surge Protection and Voltage Transient Protection |
| Material | ADC12, PC, PC+10%GF |
| Dimensions | Φ 209mm × 328mm (Φ8.2" × 12.9") |
| Weight | Approx. 3.77KG (8.3lb) |

ORDERING INFORMATION

| Type | Model | Description |
|----------------|----------------------|----------------------------|
| 2MP PTZ Camera | TD-8523IE (30M/AR15) | 2MP 30x 150m IR PTZ Camera |
| Accessories | TD-YZJ0807 | Ceiling Mount |
| | TD-YZJ0808 | Wall Mount |
| | TD-YZJ0501 | Pole Mount |
| | TD-YZJ0601 | Corner Mount |
| | DC24V/2.5A | Power Adapter |
| | / | Mount Adapter |

ACCESSORIES

DIMENSIONS

Optional:



TD-YZJ0808
Wall Mount



Mount Adapter



TD-YZJ0807
Ceiling Mount



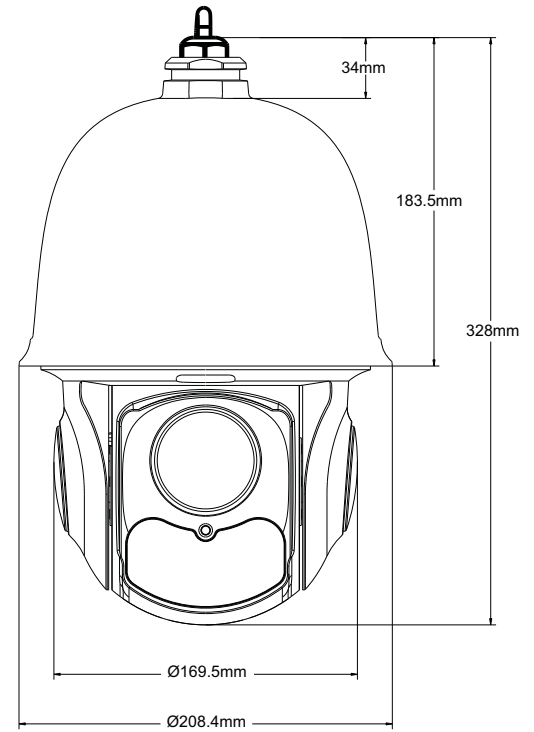
TD-YZJ0501
Pole Mount



TD-YZJ0601
Corner Mount



DC24V/2.5A
Power Adapter



| TD-YZJ0807+ Mount Adapter Ceiling Mount | TD-YZJ0808 Wall Mount | TD-YZJ0808+TD-YZJ0501 Pole Mount | TD-YZJ0808+TD-YZJ0601 Corner Mount |
|--------------------------------------------|--------------------------|-------------------------------------|---------------------------------------|
| | | | |

Shenzhen TVT DIGITAL TECHNOLOGY CO., LTD.

Address: 23rd Floor, Block B4, Building NO.9, Shenzhen Bay
Eco-Technology Park, Nanshan District, Shenzhen, Guangdong
Province, P.R.China

Tel: +86-755-36995888

Fax: +86-755-33104777

Web site: <http://en.tvt.net.cn>

E-mail: overseas@tvt.net.cn



en.tvt.net.cn

For more information, please visit our website